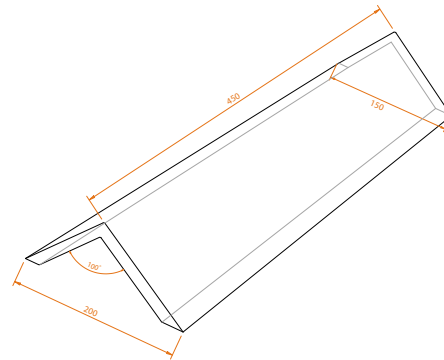




**ARTÍCULO**

**Hip & ridge for flat roof tile**

**SCHEME**



**CHARACTERISTICS**

**Material**

Cooked clay

**Approximate weight**

5,29 lb 2,4 kg

**Declared characteristics**

Long: 17,72" 450 mm  
 Max. Width: 7,87" 200 mm  
 Min. Width: 5,90" 150 mm  
 Height: 3,35" 85 mm  
 Angle: 100°

**Values guaranteed by the manufacturer**

± 15 mm  
 ± 15 mm  
 ± 15 mm  
 ± 15 mm

**FINISHES**

**Color through**

Red and graphite

**Surface finishes**

Brown and decoration with colored slips

**Hydrophobic treatment**

Only on request