



**ARTÍCULO**

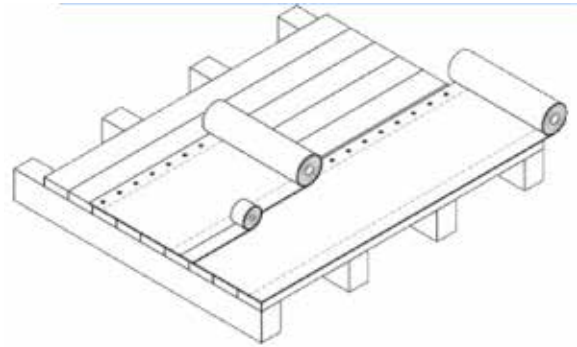
**Vapor barrier 140 gr/m<sup>2</sup>**

**SCHEME**



**INSTALLATION**

It should be placed parallel to the eave line and in an upward direction. The overlap between sheets must be at least 15 cm, depending on the slope. The tightness of the overlap area must be guaranteed by placing the reinforced adhesive strip Verea.



**CHARACTERISTICS**

	Features	Technical specifications
Dimensions	1,5m x 50m (75m <sup>2</sup> )	
Weight	136 ± 11 g/m <sup>2</sup>	EN 1849-2
Reaction to fire	Fire class E	EN 13501-1
Resistance to water penetration	Waterproof	EN 1928, Method A (2kPa, 24h)
Sd value	Sd > 2m	EN 1931
Tear resistance	longitudinal 260 ± 40 N/5cm	EN 12311-2
	transverse 200 ± 35 N/5cm	
Elongation	longitudinal 55 ± 20%	EN 12311-2
	transverse 60 ± 20%	
Tear resistance per nail	longitudinal 160 ± 40 N	EN 12310-1
	transverse 200 ± 50 N	
Durability	Pass	EN 1296 and EN 1931

**DESCRIPTION**

Waterproof sheet that allows to control the passage of vapor through the roof, made of three interlaced polypropylene layers and a microporous film, according to UNE-EN 13984: 2013.