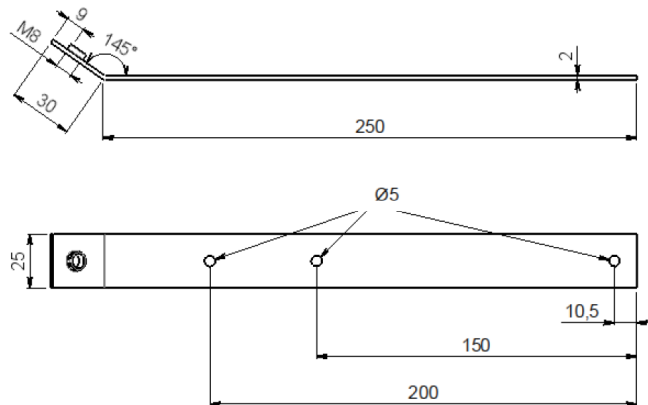




**ARTÍCULO**

**Gusset combination**

**SCHEME**



**CHARACTERISTICS**

**Material**

Stainless steel with GEOMET 500B treatment

**Products**

Platen for ridge 250x30 mm threaded

Threaded rod M8x100mm

2 nuts DIN 934 M8