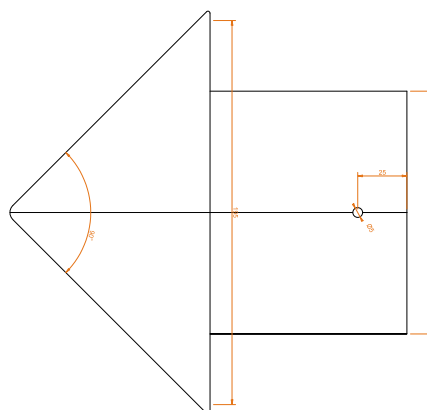




**ARTÍCULO**

**Hip starter for flat roof tile**

**SCHEME**



**CHARACTERISTICS**

**Material**

Cooked clay

**Approximate weight**

1,48 lb    0,67 kg

**Declared characteristics**

Width of mouth:    7,68"    195 mm

**Values guaranteed by the manufacturer**

± 10 mm

**FINISHES**

**Mass coloring**

Red and graphite

**Surface finishes**

Brown and decoration with colored slips

**Hydrophobic treatment**

Only on request

**OBSERVATIONS**

Screw of 4,2x70mm